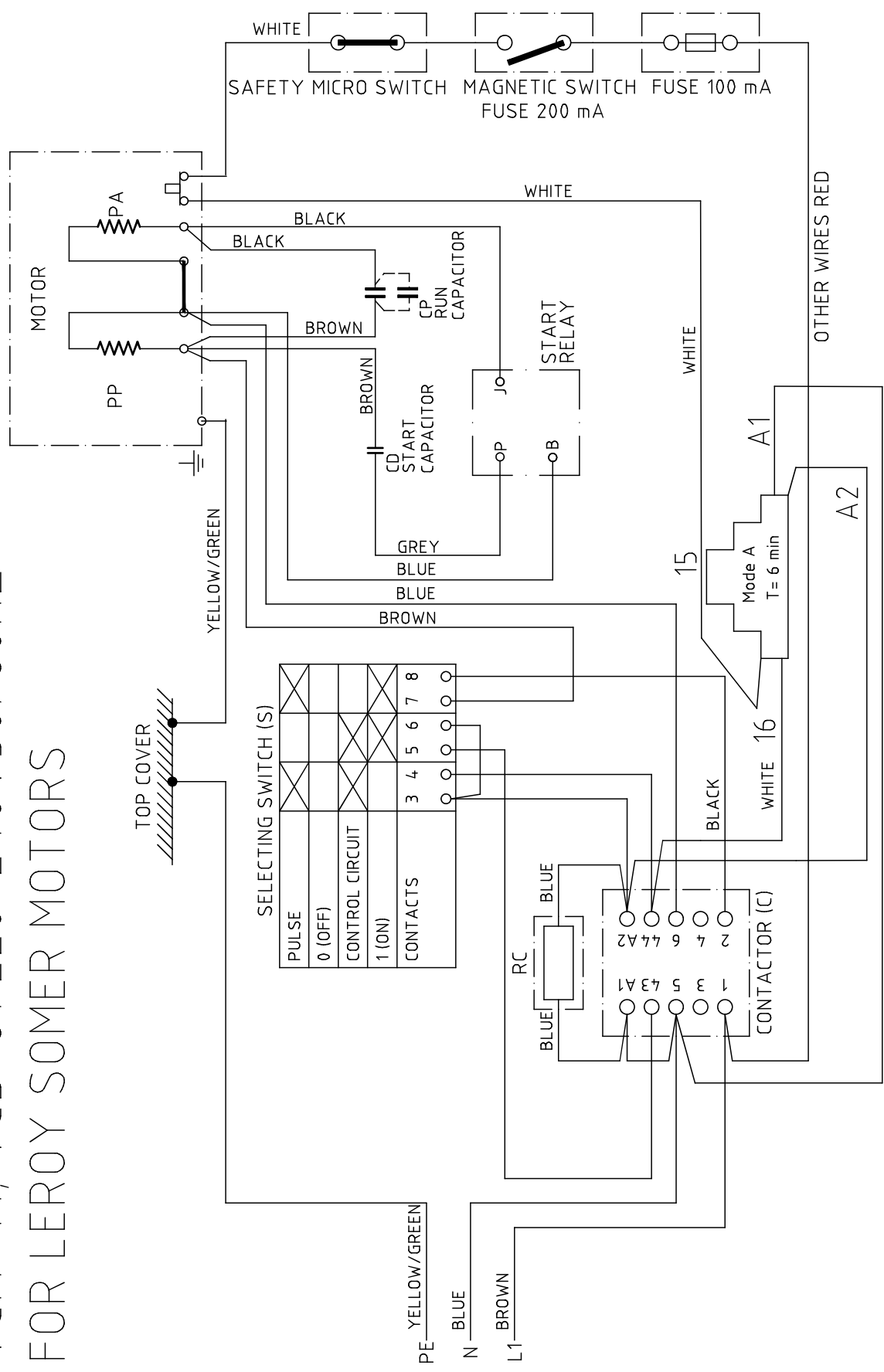


Nr LTR	Ant. Nbr.	Ändring Revisions	Datum Date	Inf. Dwn by	Godk. Appr.	ÄO Nr. Ch.O. No.
A	2	THE CAPACITORS COUPLING HAS CHANGED	100329	JH	OH	2231

VCM-41, VCB-61 220-240V50/60HZ
FOR LEROY SOMER MOTORS



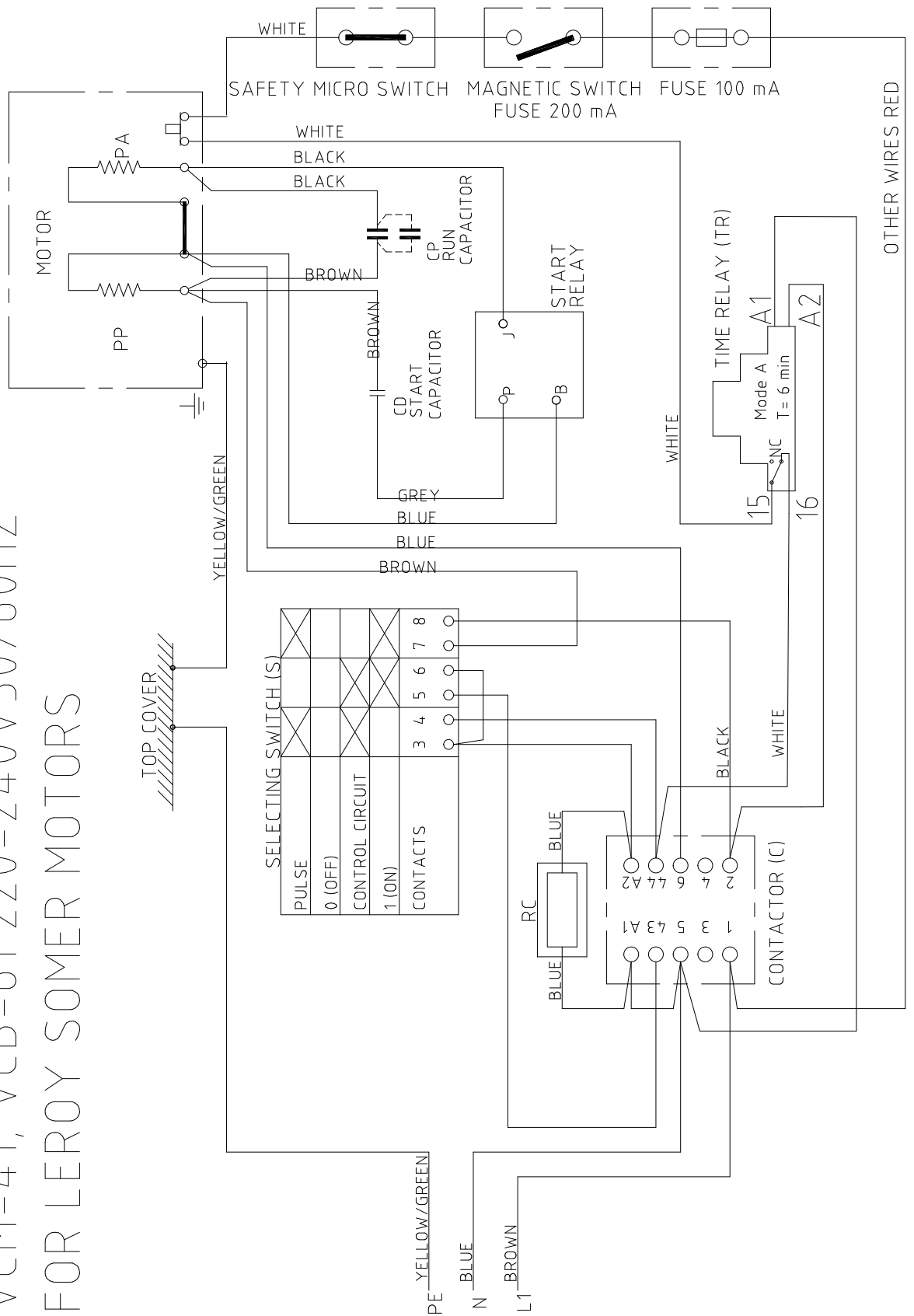
HALLDE

VCM-41, VCB-61
220-240 150/60

Appr. OH Date 20100203
Drawing no. 21005/B

Nr. LTR	Ant. Nbr.	Ändring Revisions	Datum Date	Inf. Dwn by	Godk. Appr.	ÄO Nr. Ch.O. No.
A	2	THE CAPACITORS COUPLING HAS CHANGED	100329	JH	OH	2231
B	B		B	B		
C	C		C	C	2493	2493

VCM-41, VCB-61 220-240V50/60HZ
FOR LEROY SOMER MOTORS



HALLDE

VCM-41, VCB-61
220-240 150/60

Appr. OH Date 20100203
Drawing no. 21005/C